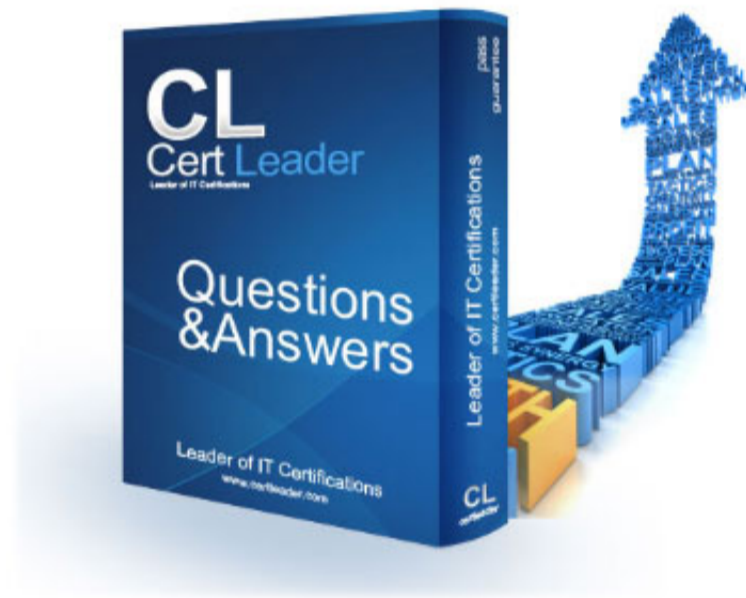


200-301 Dumps

Cisco Certified Network Associate

<https://www.certleader.com/200-301-dumps.html>



NEW QUESTION 1

Which design element is a best practice when deploying an 802.11b wireless infrastructure?

- A. disabling TPC so that access points can negotiate signal levels with their attached wireless devices.
- B. setting the maximum data rate to 54 Mbps on the Cisco Wireless LAN Controller
- C. allocating nonoverlapping channels to access points that are in close physical proximity to one another
- D. configuring access points to provide clients with a maximum of 5 Mbps

Answer: C

NEW QUESTION 2

When configuring IPv6 on an interface, which two IPv6 multicast groups are joined? (Choose two)

- A. 2000::/3
- B. 2002::5
- C. FC00::/7
- D. FF02::1
- E. FF02::2

Answer: DE

NEW QUESTION 3

Which option about JSON is true?

- A. uses predefined tags or angle brackets () to delimit markup text
- B. used to describe structured data that includes arrays
- C. used for storing information
- D. similar to HTML, it is more verbose than XML

Answer: B

NEW QUESTION 4

What are two southbound APIs? (Choose two)

- A. OpenFlow
- B. NETCONF
- C. Thrift
- D. CORBA
- E. DSC

Answer: CD

NEW QUESTION 5

An email user has been lured into clicking a link in an email sent by their company's security organization. The webpage that opens reports that it was safe but the link could have contained malicious code. Which type of security program is in place?

- A. Physical access control
- B. Social engineering attack
- C. brute force attack
- D. user awareness

Answer: B

NEW QUESTION 6

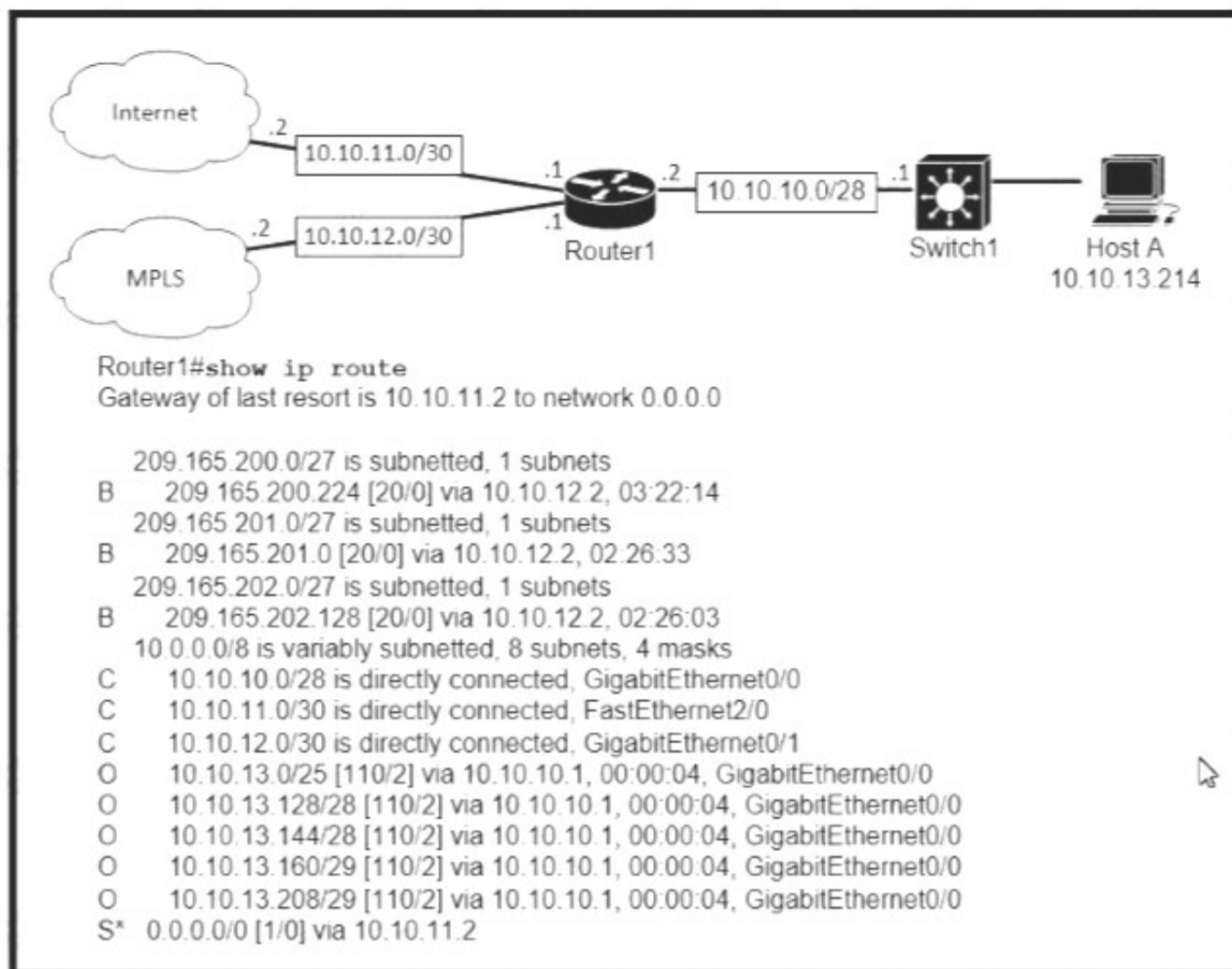
Which type of wireless encryption is used for WPA2 in preshared key mode?

- A. TKIP with RC4
- B. RC4
- C. AES-128
- D. AES-256

Answer: D

NEW QUESTION 7

Refer to the exhibit.



Which prefix does Router 1 use for traffic to Host A?

- A. 10.10.10.0/28
- B. 10.10.13.0/25
- C. 10.10.13.144/28
- D. 10.10.13.208/29

Answer: C

NEW QUESTION 8

How does HSRP provide first hop redundancy?

- A. It load-balances traffic by assigning the same metric value to more than one route to the same destination in the IP routing table.
- B. It load-balances Layer 2 traffic along the path by flooding traffic out all interfaces configured with the same VLAN.
- C. It forwards multiple packets to the same destination over different routed links in the data path
- D. It uses a shared virtual IP address to a group of routers that serve as the default gateway for hosts on a LAN

Answer: C

NEW QUESTION 9

Which two actions are performed by the Weighted Random Early Detection mechanism? (Choose two)

- A. It drops lower-priority packets before it drops higher-priority packets
- B. It can identify different flows with a high level of granularity
- C. It guarantees the delivery of high-priority packets
- D. It can mitigate congestion by preventing the queue from filling up
- E. IT supports protocol discovery

Answer: BD

NEW QUESTION 10

Refer to the exhibit.

```

ip arp inspection vlan 2
interface fastethernet 0/1
 switchport mode access
 switchport access vlan 2
  
```

What is the effect of this configuration?

- A. The switch port interface trust state becomes untrusted
- B. The switch port remains administratively down until the interface is connected to another switch
- C. Dynamic ARP inspection is disabled because the ARP ACL is missing
- D. The switch port remains down until it is configured to trust or untrust incoming packets

Answer: A

NEW QUESTION 10

When OSPF learns multiple paths to a network, how does it select a route?

- A. It multiple the active K value by 256 to calculate the route with the lowest metric.
- B. For each existing interface, it adds the metric from the source router to the destination to calculate the route with the lowest bandwidth.
- C. It divides a reference bandwidth of 100 Mbps by the actual bandwidth of the existing interface to calculate the router with the lowest cost.
- D. It count the number of hops between the source router and the destination to determine the router with the lowest metric

Answer: A

NEW QUESTION 15

Refer to the exhibit.

```
Atlanta#conf t
Enter configuration commands, one per line. End with CNTL/Z.
Atlanta(config)#aaa new-model
Atlanta(config)#aaa authentication login default local
Atlanta(config)#line vty 0 4
Atlanta(config-line)#login authentication default
Atlanta(config-line)#exit
Atlanta(config)#username ciscoadmin password adminadmin123
Atlanta(config)#username ciscoadmin privilege 15
Atlanta(config)#enable password cisco123
Atlanta(config)#enable secret testing1234
Atlanta(config)#end
```

Which password must an engineer use to enter the enable mode?

- A. adminadmin123
- B. default
- C. testing 1234
- D. cisco123

Answer: C

NEW QUESTION 19

Which configuration is needed to generate an RSA key for SSH on a router?

- A. Configure the version of SSH
- B. Configure VTY access.
- C. Create a user with a password.
- D. Assign a DNS domain name

Answer: B

NEW QUESTION 23

Drag and drop the threat-mitigation techniques from the left onto the types of threat or attack they mitigate on the right.
check the answer below.

Configure VACL.

Configure dynamic ARP inspection.

Configure BPDU guard.

Configure root guard.

- A. Mastered
- B. Not Mastered

Answer: A

Explanation:

Configure VACL.

Configure dynamic ARP inspection.

Configure BPDU guard.

Configure root guard.

NEW QUESTION 25

What are two characteristics of a controller-based network? (Choose two)

- A. The administrator can make configuration updates from the CLI
- B. It uses northbound and southbound APIs to communicate between architectural layers
- C. It moves the control plane to a central point.
- D. It decentralizes the control plane, which allows each device to make its own forwarding decisions
- E. It uses Telnet to report system issues.

Answer: AC

NEW QUESTION 27

Refer to Exhibit.

```
SW2
vtp domain cisco
vtp mode transparent
vtp password ciscotest
interface fastethernet0/1
description connection to sw1
switchport mode trunk
switchport trunk encapsulation dot1q
```

How does SW2 interact with other switches in this VTP domain?

- A. It processes VTP updates from any VTP clients on the network on its access ports.
- B. It receives updates from all VTP servers and forwards all locally configured VLANs out all trunk ports
- C. It forwards only the VTP advertisements that it receives on its trunk ports.
- D. It transmits and processes VTP updates from any VTP Clients on the network on its trunk ports

Answer: C

NEW QUESTION 29

Which unified access point mode continues to serve wireless clients after losing connectivity to the Cisco Wireless LAN Controller?

- A. sniffer
- B. mesh
- C. flexconnect
- D. local

Answer: B

NEW QUESTION 32

What are two reasons that cause late collisions to increment on an Ethernet interface? (Choose two)

- A. when the sending device waits 15 seconds before sending the frame again
- B. when the cable length limits are exceeded
- C. when one side of the connection is configured for half-duplex
- D. when Carrier Sense Multiple Access/Collision Detection is used
- E. when a collision occurs after the 32nd byte of a frame has been transmitted

Answer: CE

NEW QUESTION 34

What is the primary effect of the spanning-tree portfast command?

- A. it enables BPDU messages
- B. It minimizes spanning-tree convergence time
- C. It immediately puts the port into the forwarding state when the switch is reloaded

D. It immediately enables the port in the listening state

Answer: A

NEW QUESTION 37

Refer to the exhibit.

```
R2#show ip nat translations
Pro Inside global      Inside local  Outside local  Outside global
tcp 172.23.104.3:43268 10.4.4.4:43268 172.23.103.10:23 172.23.103.10:23
tcp 172.23.104.4:45507 10.4.4.5:45507 172.23.103.10:80 172.23.103.10:80
```

An engineer configured NAT translations and has verified that the configuration is correct. Which IP address is the source IP?

- A. 10.4.4.4
- B. 10.4.4.5
- C. 172.23.103.10
- D. 172.23.104.4

Answer: C

NEW QUESTION 38

Which IPv6 address block sends packets to a group address rather than a single address?

- A. 2000::/3
- B. FC00::/7
- C. FE80::/10
- D. FF00::/8

Answer: C

NEW QUESTION 40

Which command is used to specify the delay time in seconds for LLDP to initialize on any interface?

- A. lldp timer
- B. lldp holdtime
- C. lldp reinit
- D. lldp tlv-select

Answer: D

NEW QUESTION 43

Refer to the exhibit.

```
Designated Router (ID) 10.11.11.11, Interface address 10.10.10.1
Backup Designated router (ID) 10.3.3.3, Interface address 10.10.10.3
Timer intervals configured, Hello 10, Dead 40, Wait 40, Retransmit 5
oob-resync timeout 40
Hello due in 00:00:08
Supports Link-local Signaling (LLS)
Cisco NSF helper support enabled
IETF NSF helper support enabled
Index 1/1/1, flood queue length 0
Next 0x0(0)/0x0(0)/0x0(0)
Last flood scan length is 1, maximum is 6
Last flood scan time is 0 msec, maximum is 1 msec
Neighbor Count is 3, Adjacent neighbor count is 3
Adjacent with neighbor 10.1.1.4
Adjacent with neighbor 10.2.2.2
Adjacent with neighbor 10.3.3.3 (Backup Designated Router)
Suppress hello for 0 neighbor(s)
```

The show ip ospf interface command has been executed on R1 How is OSPF configured?

- A. The interface is not participating in OSPF
- B. A point-to-point network type is configured
- C. The default Hello and Dead timers are in use
- D. There are six OSPF neighbors on this interface

Answer: A

NEW QUESTION 48

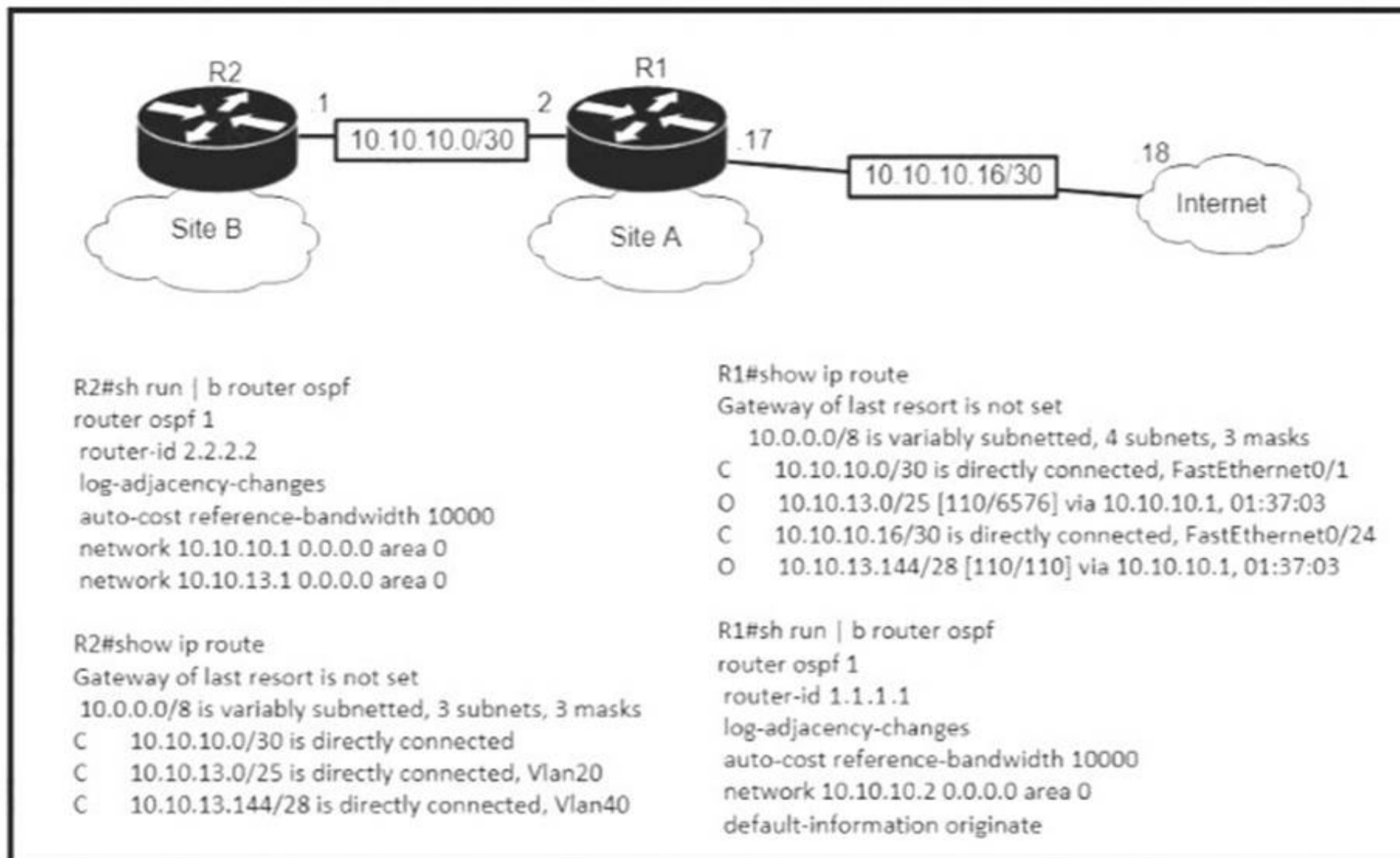
Which QoS Profile is selected in the GUI when configuring a voice over WLAN deployment?

- A. Bronze
- B. Platinum
- C. Silver
- D. Gold

Answer: B

NEW QUESTION 53

Refer to the exhibit.



An engineer is bringing up a new circuit to the MPLS provider on the Gi0/1 interface of Router1. The new circuit uses eBGP and teams the route to VLAN25 from the BGP path. What is the expected behavior for the traffic flow for route 10.10.13.0/25?

- A. Traffic to 10.10.13.0/25 is load balanced out of multiple interfaces
- B. Route 10.10.13.0/25 is updated in the routing table as being learned from interface Gi0/1.
- C. Traffic to 10.10.13.0/25 is asymmetrical
- D. Route 10.10.13.0/25 learned via the Gi0/0 interface remains in the routing table

Answer: D

NEW QUESTION 56

Which statement identifies the functionality of virtual machines?

- A. Virtualized servers run most efficiently when they are physically connected to a switch that is separate from the hypervisor
- B. The hypervisor can virtualize physical components including CPU, memory, and storage
- C. Each hypervisor can support a single virtual machine and a single software switch
- D. The hypervisor communicates on Layer 3 without the need for additional resources

Answer: D

NEW QUESTION 57

A user configured OSPF in a single area between two routers. A serial interface connecting R1 and R2 is running encapsulation PPP. By default, which OSPF network type is seen on this interface when the user types show ip ospf interface on R1 or R2?

- A. port-to-multipoint
- B. broadcast
- C. point-to-point
- D. nonbroadcast

Answer: C

NEW QUESTION 58

A user configured OSPF and advertised the Gigabit Ethernet interface in OSPF. By default, which type of OSPF network does this interface belong to?

- A. point-to-multipoint
- B. point-to-point
- C. broadcast
- D. nonbroadcast

Answer: B

NEW QUESTION 62

An organization has decided to start using cloud-provided services. Which cloud service allows the organization to install its own operating system on a virtual

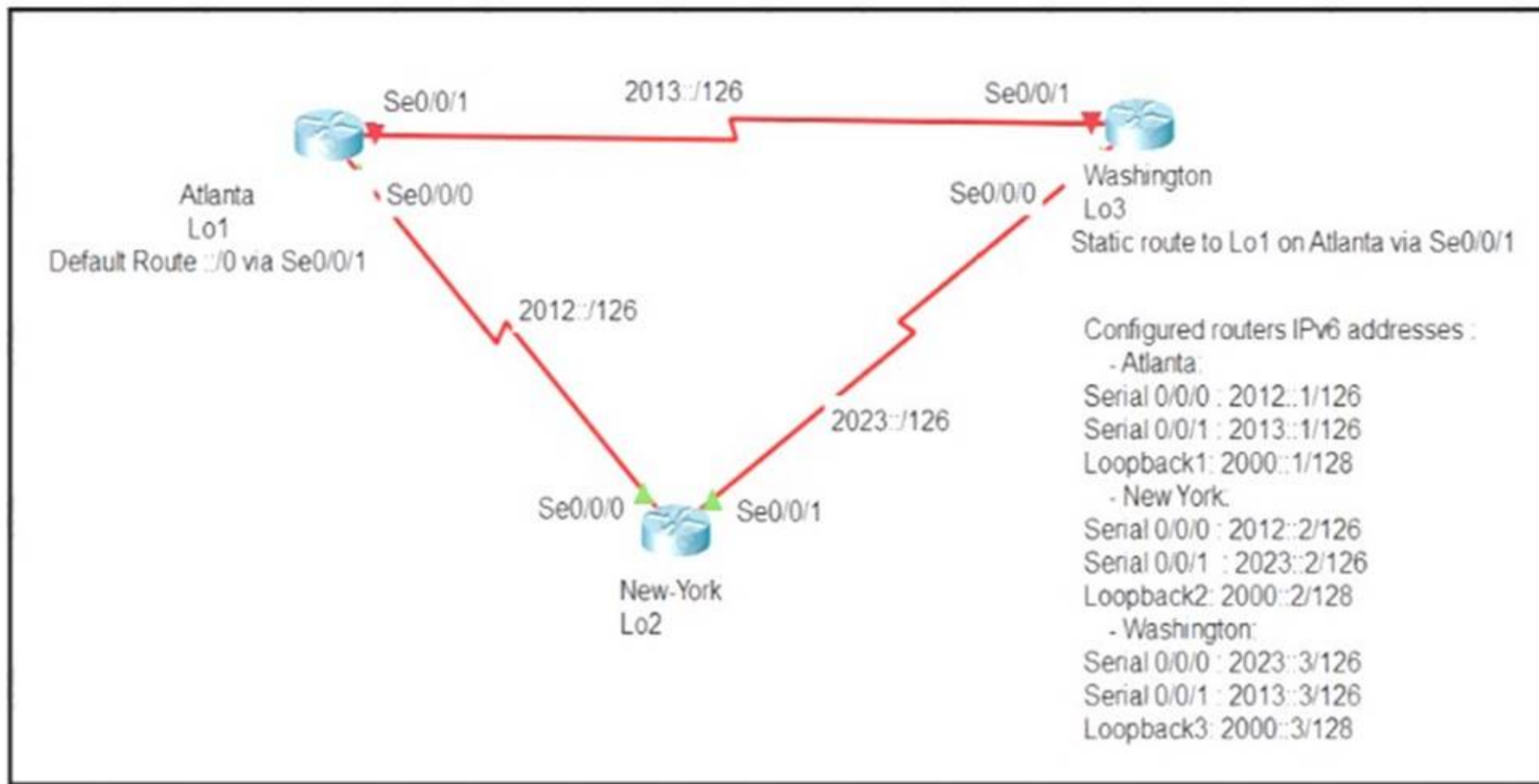
machine?

- A. platform-as-a-service
- B. software-as-a-service
- C. network-as-a-service
- D. infrastructure-as-a-service

Answer: D

NEW QUESTION 65

Refer to Exhibit.



An engineer is configuring the NEW York router to reach the Lo1 interface of the Atlanta router using interface Se0/0/0 as the primary path. Which two commands must be configured on the New York router so that it can reach the Lo1 interface of the Atlanta router via Washington when the link between New York and Atlanta goes down? (Choose two)

- A. ipv6 router 2000::1/128 2012::1
- B. ipv6 router 2000::1/128 2012::1 5
- C. ipv6 router 2000::1/128 2012::2
- D. ipv6 router 2000::1/128 2023::2 5
- E. ipv6 router 2000::1/128 2023::3 5

Answer: DE

NEW QUESTION 70

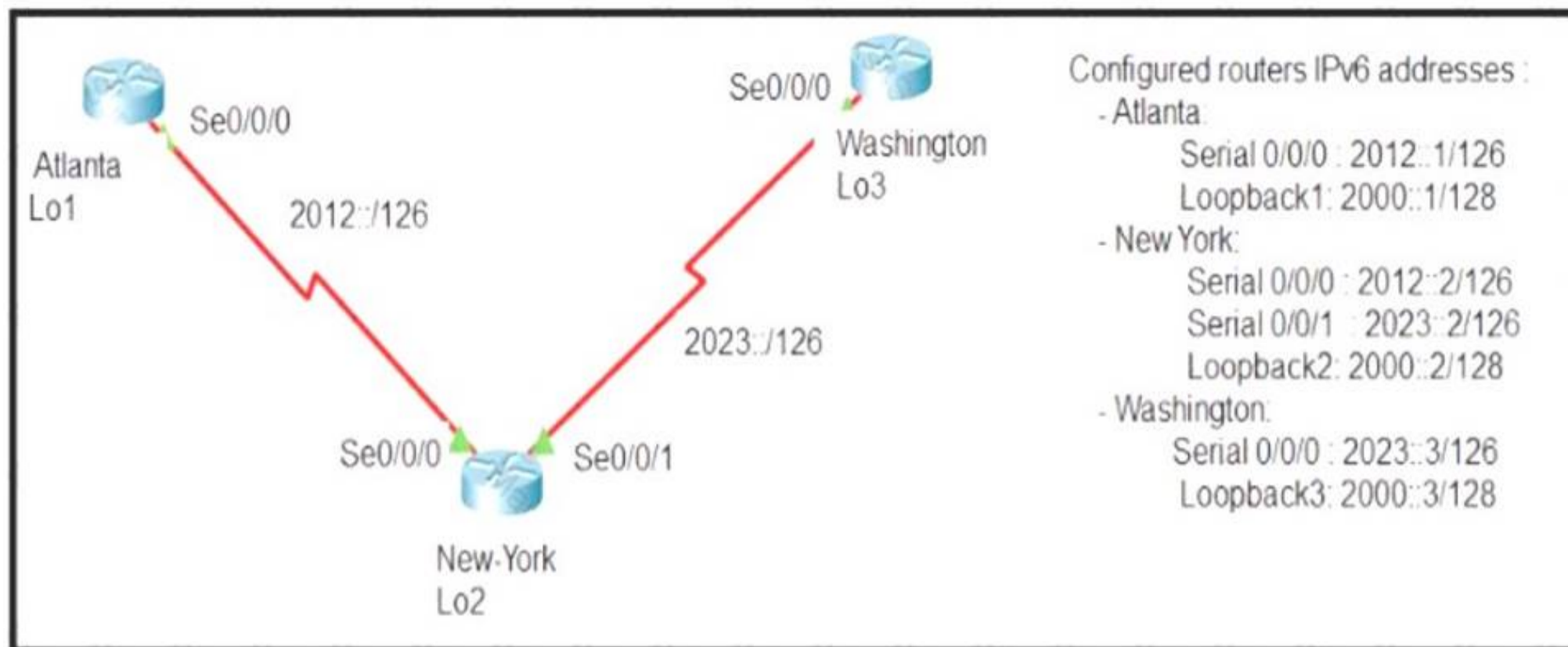
Which two tasks must be performed to configure NTP to a trusted server in client mode on a single network device? (Choose two)

- A. Enable NTP authentication.
- B. Verify the time zone.
- C. Disable NTP broadcasts
- D. Specify the IP address of the NTP server
- E. Set the NTP server private key

Answer: DE

NEW QUESTION 73

Refer to the exhibit.



The New York router is configured with static routes pointing to the Atlanta and Washington sites. Which two tasks must be performed so that the Serial0/0/0 interfaces on the Atlanta and Washington routers can reach one another? (Choose two.)

- A. Configure the ipv6 route 2012::/126 2023::1 command on the Washington router
- B. Configure the ipv6 route 2023::/126 2012::1 command on the Atlanta router.
- C. Configure the Ipv6 route 2012::/126 s0/0/0 command on the Atlanta router
- D. Configure the ipv6 route 2023::/126 2012::2 command on the Atlanta router
- E. Configure the ipv6 route 2012::/126 2023::2 command on the Washington router

Answer: CE

NEW QUESTION 78

Refer to exhibit.

```
Router(config)#interface GigabitEthernet 1/0/1
Router(config-if)#ip address 192.168.16.143 255.255.255.240
Bad mask /28 for address 192.168.16.143
```

Which statement explains the configuration error message that is received?

- A. It is a broadcast IP address
- B. The router does not support /28 mask.
- C. It belongs to a private IP address range.
- D. IT is a network IP address.

Answer: A

NEW QUESTION 80

What makes Cisco DNA Center different from traditional network management applications and their management of networks?

- A. It only supports auto-discovery of network elements in a greenfield deployment.
- B. It modular design allows someone to implement different versions to meet the specific needs of an organization
- C. IT abstracts policy from the actual device configuration
- D. It does not support high availability of management functions when operating in cluster mode

Answer: A

NEW QUESTION 81

Which network allows devices to communicate without the need to access the Internet?

- A. 1729.0.0/16
- B. 172.28.0.0/16
- C. 192.0.0.0/8
- D. 209.165.201.0/24

Answer: D

NEW QUESTION 82

Refer to the exhibit.

```

R1#show ip interface brief
Interface                IP-Address      OK? Method Status      Protocol
FastEthernet0/0          unassigned      YES NVRAM   administratively down  down
GigabitEthernet1/0       192.168.0.1     YES NVRAM   up          up
GigabitEthernet2/0       10.10.1.10      YES manual  up          up
GigabitEthernet3/0       10.10.10.20     YES manual  up          up
GigabitEthernet4/0       unassigned      YES NVRAM   administratively down  down
Loopback0                172.16.15.10    YES manual
    
```

What does router R1 use as its OSPF router-ID?

- A. 10.10.1.10
- B. 10.10.10.20
- C. 172.16.15.10
- D. 192.168.0.1

Answer: B

NEW QUESTION 85

When a site-to-site VPN is used, which protocol is responsible for the transport of user data?

- A. IKEv2
- B. IKEv1
- C. IPsec
- D. MD5

Answer: C

NEW QUESTION 87

Drag drop the descriptions from the left onto the correct configuration-management technologies on the right.

fundamental configuration elements are stored in a manifest

uses TCP port 10002 for configuration push jobs

uses Ruby for fundamental configuration elements

uses SSH for remote device communication

uses TCP 8140 for communication

uses YAML for fundamental configuration elements

Ansible

Chef

Puppet

- A. Mastered
- B. Not Mastered

Answer: A

Explanation:

fundamental configuration elements are stored in a manifest

uses TCP port 10002 for configuration push jobs

uses Ruby for fundamental configuration elements

uses SSH for remote device communication

uses TCP 8140 for communication

uses YAML for fundamental configuration elements

Ansible

uses TCP port 10002 for configuration push jobs

uses TCP 8140 for communication

Chef

uses Ruby for fundamental configuration elements

uses SSH for remote device communication

Puppet

uses YAML for fundamental configuration elements

fundamental configuration elements are stored in a manifest

NEW QUESTION 92

A router running EIGRP has learned the same route from two different paths Which parameter does the router use to select the best path?

- A. cost
- B. administrative distance
- C. metric
- D. as-path

Answer: C

NEW QUESTION 97

R1 has learned route 192.168.12.0/24 via IS-IS, OSPF, RIP, and Internal EIGRP Under normal operating conditions, which routing protocol is installed in the routing table?

- A. IS-IS
- B. RIP
- C. Internal EIGRP
- D. OSPF

Answer: C

NEW QUESTION 98

Which MAC address is recognized as a VRRP virtual address?

- A. 0000.5E00.010a
- B. 0005.3711.0975
- C. 0000.0C07.AC99
- D. 0007.C070/AB01

Answer: A

NEW QUESTION 102

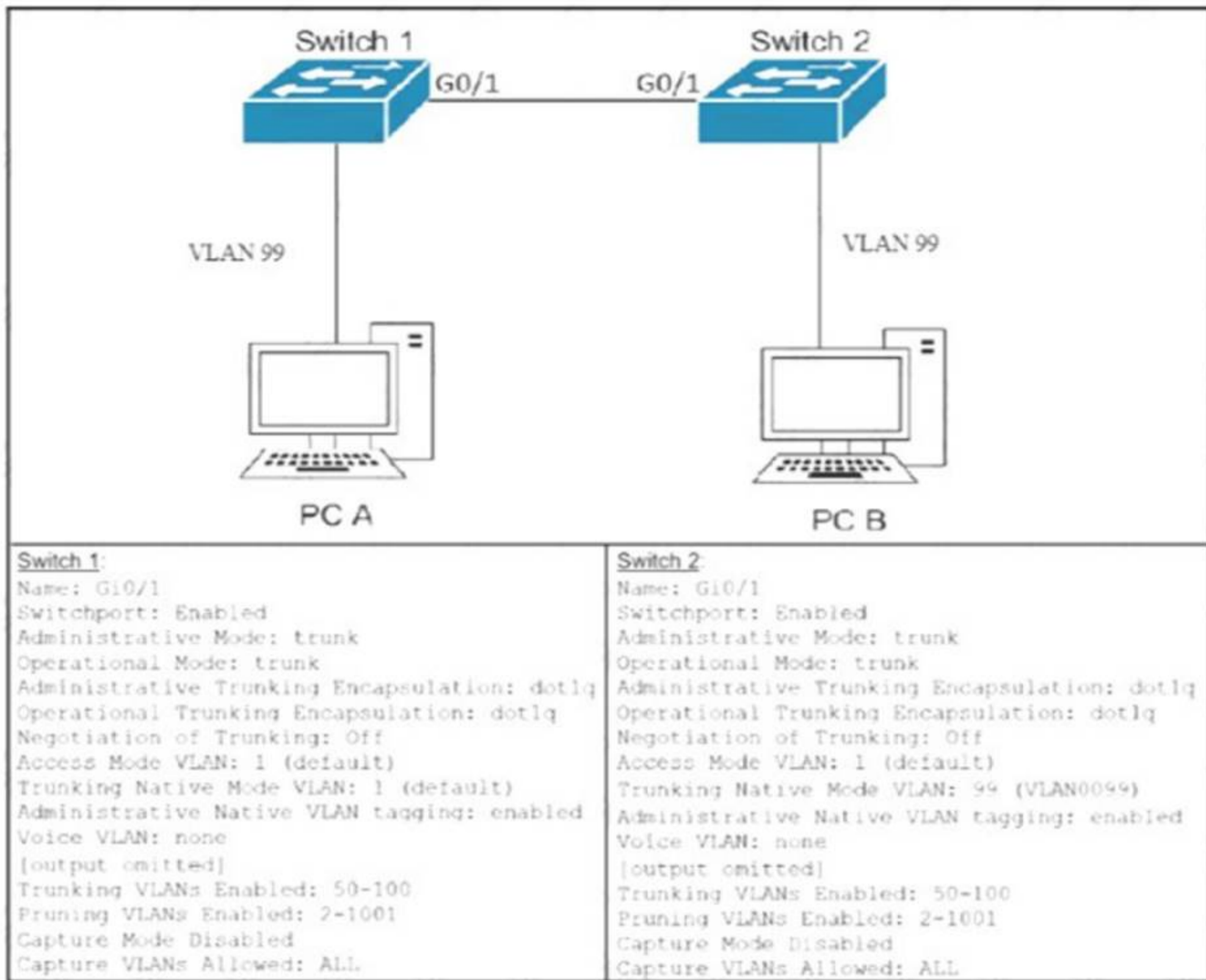
If a notice-level messaging is sent to a syslog server, which event has occurred?

- A. A network device has restarted
- B. An ARP inspection has failed
- C. A routing instance has flapped
- D. A debug operation is running

Answer: A

NEW QUESTION 105

Refer to the Exhibit.



After the switch configuration the ping test fails between PC A and PC B Based on the output for switch 1. which error must be corrected?

- A. There is a native VLAN mismatch
- B. Access mode is configured on the switch ports.
- C. The PCs are in the incorrect VLAN
- D. All VLANs are not enabled on the trunk

Answer: A

NEW QUESTION 109

An engineer must configure a WLAN using the strongest encryption type for WPA2- PSK. Which cipher fulfills the configuration requirement?

- A. WEP
- B. RC4
- C. AES
- D. TKIP

Answer: D

NEW QUESTION 110

Drag and drop the functions from the left onto the correct network components on the right

- holds the TCP/IP settings to be distributed to the clients
- resolves web URLs to IP addresses
- stores a list of IP addresses mapped to names
- assigns a default gateway to a client
- assigns IP addresses to enabled clients

DHCP Server

DNS Server

- A. Mastered
- B. Not Mastered

Answer: A

Explanation:

- holds the TCP/IP settings to be distributed to the clients
- resolves web URLs to IP addresses
- stores a list of IP addresses mapped to names
- assigns a default gateway to a client
- assigns IP addresses to enabled clients

DHCP Server

- holds the TCP/IP settings to be distributed to the clients
- resolves web URLs to IP addresses
- assigns IP addresses to enabled clients

DNS Server

- stores a list of IP addresses mapped to names
- assigns a default gateway to a client

NEW QUESTION 111

.....

Thank You for Trying Our Product

* 100% Pass or Money Back

All our products come with a 90-day Money Back Guarantee.

* One year free update

You can enjoy free update one year. 24x7 online support.

* Trusted by Millions

We currently serve more than 30,000,000 customers.

* Shop Securely

All transactions are protected by VeriSign!

100% Pass Your 200-301 Exam with Our Prep Materials Via below:

<https://www.certleader.com/200-301-dumps.html>