

## Exam Questions NSE8\_810

Fortinet Network Security Expert 8 Written Exam (810)

[https://www.2passeasy.com/dumps/NSE8\\_810/](https://www.2passeasy.com/dumps/NSE8_810/)



**NEW QUESTION 1**

Exhibit



```
config antivirus profile
  edit "default"
    set comment "Scan files and block viruses."
    config http
      set options scan
    end
    config ftp
      set options scan
    end
    config imap
      set options scan
    end
    config pop3
      set options scan
    end
    config smtp
      set options scan
    end
    config smb
      set options scan
    end
    set scan-mode quick
  next
end
```

You are working on an entry level model FortiGate that has been configured in flow based inspection mode with various settings optimized for performance. It appears that the main Internet Firewall policy using the antivirus profile labeled default. Your customer has found that some virus samples are not being caught by the FortiGate.

Referring to the exhibit, what is causing the problem?

- A. The set default-db configure was set to extreme.
- B. The set options scan configuration items should have been changed to not option scan avmonitor.
- C. The default AV profile was modified to use quick scan-mode.
- D. The mobile-malware-db configuration was set to enable

**Answer:** A

**NEW QUESTION 2**

You cannot ping the FortiGate's default gateway 10.10.10.1 from the FortiGate CLI. The FortiGate interface facing the default gateway is wan1 and its IP address is 10.10.10.74. During the troubleshooting, tests, you confirmed that you can ping other IP addresses in the 10.10.10.0/24 subnet from the FortiGate CLI without packets lost.

Which two CLI commands will help you to troubleshoot this problem? (Choose two.)

- A. diagnose ip arp list
- B. diag aniffer packet wan1 'arp and host 10.10.10.1'
- C. diagnose hardware deviceinfo nice wan1
- D. diagnose debug flow filter addt 10.10.10.1
- E. diagnose debug flow trace trace 10

**Answer:** AD

**NEW QUESTION 3**

You have a customer experiencing a problem with a legacy L3/L4 firewall device and IPv6 SIP VoIP traffic. The device is dropping SIP packets, consequently, it cannot process SIP voice calls. Which solution would solve the customer's problem?

- A. Deploy a FortiVoice and enable IPv6 SIP.
- B. Replace their legacy device with a FortiGate and configure it to extract information from the body of the IPv6 packet.
- C. Deploy a FortiVoice and enable an IPv6 SIP session helper.
- D. Replace their legacy device with a FortiGate and deploy a FortiVoice to extract information from the body of the IPv6 SIP packet.

**Answer:** A

**NEW QUESTION 4**

You want to access the JSON API on FortiManager to retrieve information on an object. In this scenario, which two methods will satisfy the requirement? (Choose two.)

- A. Make a call with the Web browser on your workstation.
- B. Make a call with the SoapUI API tool on your workstation.
- C. Download the WSDL file from FortiManager administration GUI.
- D. Make a call with the curl utility on your workstation.

**Answer:** AC

**NEW QUESTION 5**

You want to manage a FortiCloud service. The FortiGate shows up in your list devices on the FortiCloud Web site, but all management functions are either missing or grayed out.

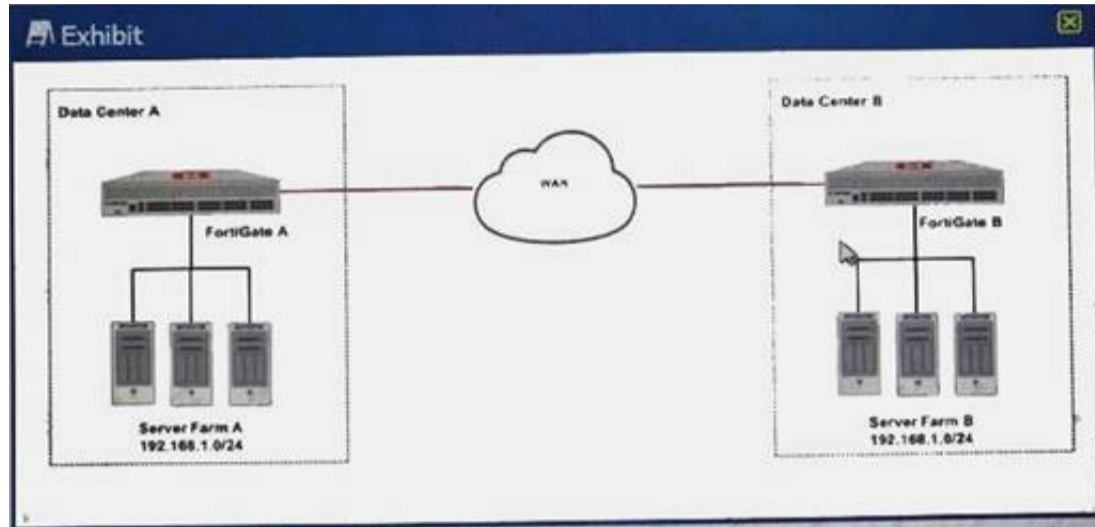
Which statement is correct in this scenario?

- A. The managed FortiGate is running a version of FortiOS that is either too new or too old for FortCloud.
- B. The managed FortiGate requires that a FortiCloud management license be purchased and applied.
- C. You must manually configure system control-management on the FortiGate CLI and set the management type to fortiguard.
- D. The management tunnel mode on the managed FortiGate must be changed to normal.

**Answer: C**

**NEW QUESTION 6**

Exhibit



Your company has two data centers (DC) connected using a Layer 3 network. Services in farm A need to connect to servers in farm B as though they all were in the same Layer 2 segment.

- A. Create an IPsec tunnel with transport mode encapsulation.
- B. Create an IPsec tunnel with tunnel mode encapsulation.
- C. Create an IPsec tunnel with VXLAN encapsulation.
- D. Create an IPsec tunnel with VLAN encapsulation.

**Answer: A**

**NEW QUESTION 7**

You are building a FortiGala cluster which is stretched over two locations. The HA connections for the cluster are terminated on the data centers.

Once the FortiGates have booted, they do not form a cluster.

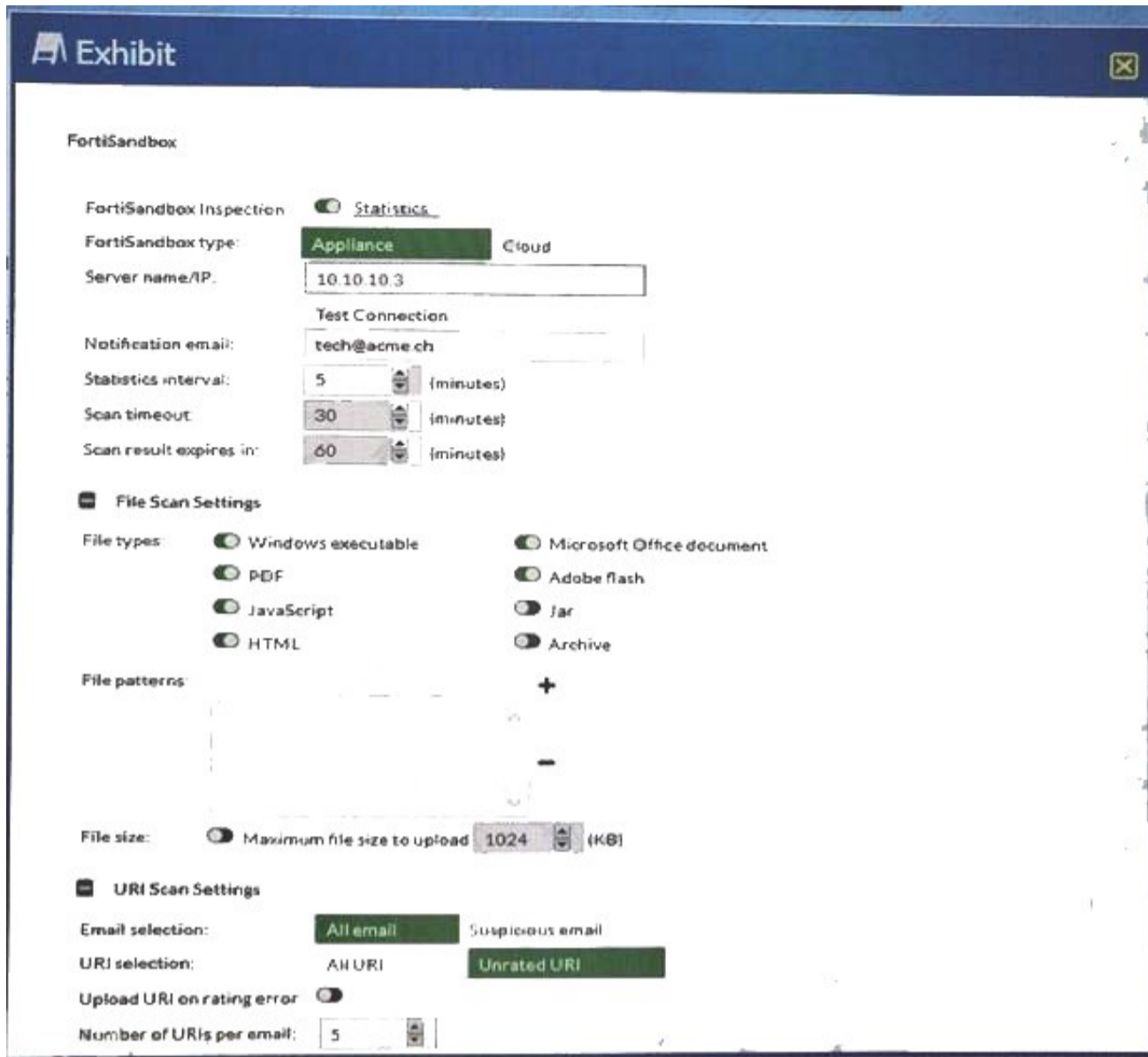
The network operators inform you that CRC errors are present on the switches where the FortiGates are connected. What would you do to solve this problem?

- A. Replace the cables where the CRC errors occur.
- B. Change the ethertype for the HA packets.
- C. Set the speed/duplex setting to 1 Gbps / Full Duplex.
- D. Place the HA interfaces in a dedicated VLAN.

**Answer: A**

**NEW QUESTION 8**

Exhibit



You have installed a FortiSandbox and configured it in your FortiMail. Referring to the exhibit, which two statements are correct? (Choose two.)

- A. FortiMail will cache the results for 30 minutes.
- B. FortiMail will wait for 30 minutes to obtain the scan results.
- C. If the FortiSandbox with IP 10.10.10.3 is not available, the e-mail will be checked by the FortiCloud Sandbox.
- D. If FortiMail is not able to obtain the results from the fortGuard queue
- E. URIs will not be checked by the FortiSandbox.

Answer: BD

**NEW QUESTION 9**

In a FortiGate 5000 series, two FortiControllers are working as an SLBC cluster in a-p mode. The configuration shown below is applied.

```
config load-balance session-setup
set tcp-ingress enable
end
```

When statement is true on how new TCP sessions are handled by the Distributor Processor (DP).  
 The new session added the DP session table is automatically deleted, if the traffic is denied by the processing worker.

- A. No new session is added is the DP session table until the processing worker accepts the traffic.
- B. A new session added m the DP session table remains in the table remain in the traffic is denied by the proceession worker.
- C. A new session added in the OP session table remains is the table only if traffic is traffic is accepted by the processing worker.

Answer: C

**NEW QUESTION 10**

Exhibit

```

Exhibit

config global
config system vdom-link
edit vlink2
end
config system interface
edit vlink20
set vdom nat
next
edit vlink21
set vdom transparent
end
    
```

What are two ways to establish communication between an existing NAT VDOM and a new transparent VDOM? (Choose two.)

- A. Set the set ip 10.10.10. i command to vlink21.
- B. Set type ppp to the vdom-link, vlink2.
- C. Set the not ip 10.10.10.1 command to vlink20.
- D. Set type ethernet to the vdom-link, vlink2.

Answer: AC

**NEW QUESTION 10**

Exhibit

```

Exhibit

config system ha
set mode a-a
set group-id 1
set group-name main
set hb_dev part2 100
set session-pickup enable
end
    
```

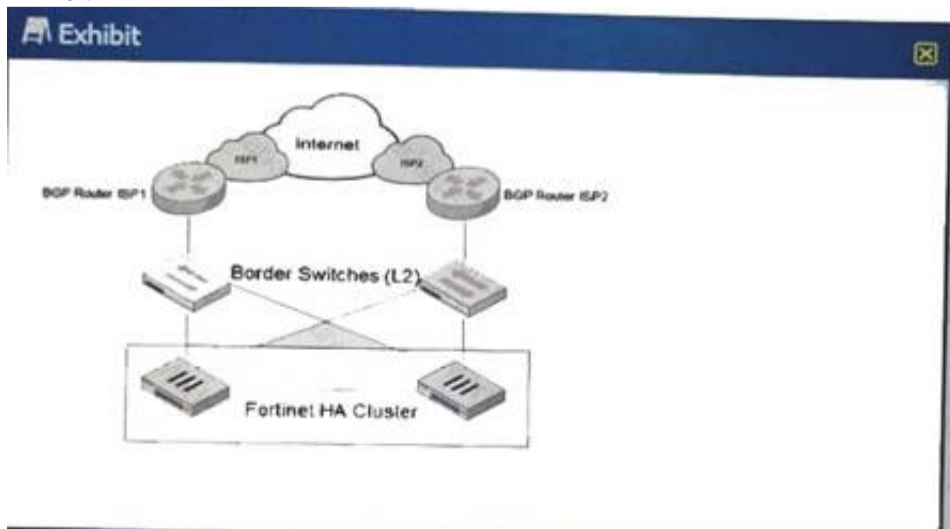
You have configured an HA cluster with Two FortiGates You want to make sure that you are able to manage the individual cluster members using ports3. Referring to the exhibit, what are two ways to accomplish this task? (Choose two.)

- A. Disable the sync feature on port3: then configure specific IPs for ports on both cluster members.
- B. Configure port3 to be a dedicated HA management interface, then configure specific IPs for port3 on both cluster members.
- C. Create a management VDOM and Disable the HA synchronization for this VDOM, assign ports to this VDOM, then configure specific IPs for ports on both cluster member.
- D. Allow administrative access in the HA heartbeat interface

Answer: BC

**NEW QUESTION 13**

Exhibit



Your organization has a FortiGate cluster that is connected to two independent ISPs. You must configure the FortiGate failover for a single ISP failure to occur without disruption.

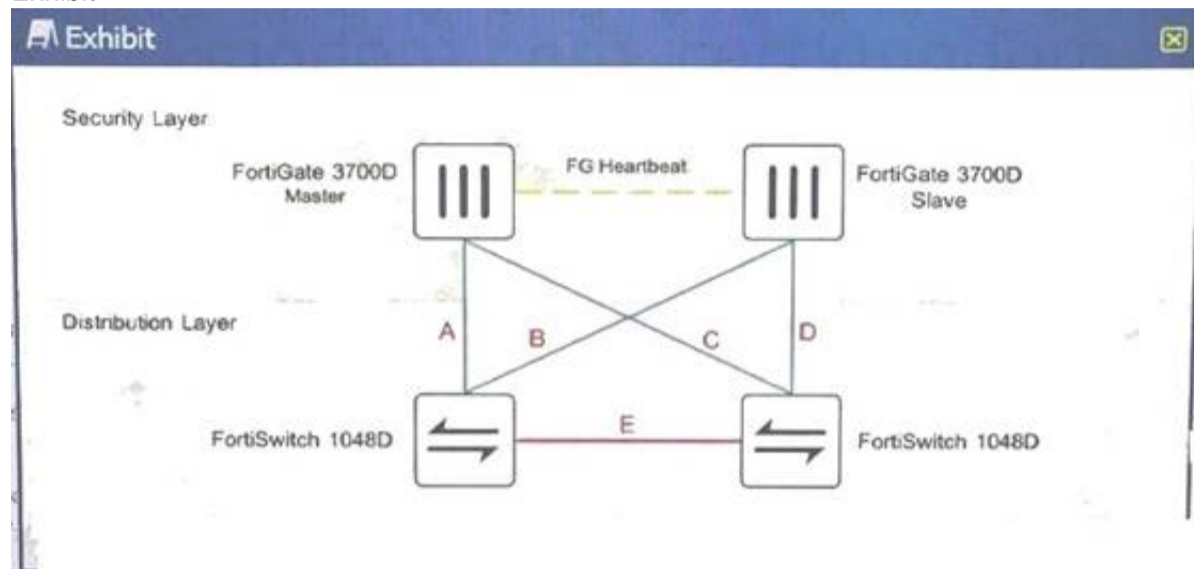
Referring to the exhibit, which two FortiGate BGP features would be used to accomplish this task' (Choose two.)

- A. Enable BFD
- B. Enable EBGP multipath
- C. Enable graceful restart
- D. Enable synchronization

**Answer: BC**

**NEW QUESTION 16**

Exhibit



The exhibit shows a full-mesh topology between Fortigates FortiSwitches. To deploy configuration, two requirements must be met:

- 20 Gbps full duplex connectivity is available between each FortiGate and the FortiSwitches.
- the FortiGate HA must be in AP mode.

Referring to the exhibit, what are two actions that wil fulfill the requirements?

- A. Configure both FortiSwitch as peers with ICL over cable E, create one MLAG on ports connected to cables A and C, and create another MLAG on ports connected to cables B and D.
- B. Configure the master FortiGate with one and FortiLink split interface disable on ports connected to cables A and C and make sure the same ports are used for to cables B and D.
- C. Configure both FortiSwitches as peers ISL over cable on create one MLAG on ports connected cables A and C, and ceate another MLAG on ports connected to cables B and D.
- D. Configure the master FortiGate with one LAG and FortiLink split interface enables on ports connected to cable A and C make sure the ports are used for cables B and D on the slave.

**Answer: C**

**NEW QUESTION 18**

An organization has one central site And three remote sites. A FotiSIEM has been drafted on the central site and now all devices across the remote sites need to be monitored by the FortiSIEM.

When action would reduce the WAN usage by the monitoring system?

- A. Deploy a single Supervisor on the central site and enable WAN optimize on the WAN gateways.
- B. Install local Collection remote site.
- C. Disable monitoring on the remote sites during the day.
- D. install a Supervisor and a Collector for each remote sit

**Answer: C**

**NEW QUESTION 22**

.....

## THANKS FOR TRYING THE DEMO OF OUR PRODUCT

Visit Our Site to Purchase the Full Set of Actual NSE8\_810 Exam Questions With Answers.

We Also Provide Practice Exam Software That Simulates Real Exam Environment And Has Many Self-Assessment Features. Order the NSE8\_810 Product From:

[https://www.2passeasy.com/dumps/NSE8\\_810/](https://www.2passeasy.com/dumps/NSE8_810/)

## Money Back Guarantee

### **NSE8\_810 Practice Exam Features:**

- \* NSE8\_810 Questions and Answers Updated Frequently
- \* NSE8\_810 Practice Questions Verified by Expert Senior Certified Staff
- \* NSE8\_810 Most Realistic Questions that Guarantee you a Pass on Your FirstTry
- \* NSE8\_810 Practice Test Questions in Multiple Choice Formats and Updatesfor 1 Year