

E05-001 Dumps

Information Storage and Management Version 3 Exam

<https://www.certleader.com/E05-001-dumps.html>



NEW QUESTION 1

An application generates 8400 small random I/Os at peak workloads with a read/write ratio of 2:1. What is the disk load at peak activity for a RAID 5 configuration?

- A. 4800
- B. 11200
- C. 16800
- D. 22400

Answer: C

NEW QUESTION 2

Which type of login is performed between an N_Port and an F_Port in a Fibre Channel SAN environment?

- A. FLOGI
- B. PLOGI
- C. PRLI
- D. WWPN

Answer: A

NEW QUESTION 3

What is an accurate statement about a logical volume in a compute system?

- A. Can span across multiple physical volumes
- B. Can only be created from a single physical volume
- C. Must be created across multiple volume groups
- D. Allows multiple file systems to run concurrently

Answer: A

NEW QUESTION 4

What is an accurate statement about the Common Internet File System (CIFS) protocol?

- A. Enables a CIFS server to maintain connection information regarding every connected client
- B. Uses a Remote Procedure Call mechanism to provide access to the CIFS supported file systems
- C. Contains an open variation of the stateless user datagram protocol that stores information about open files
- D. Uses file system locking to enable users to simultaneously overwrite all metadata of a file system

Answer: A

NEW QUESTION 5

Which elements are associated with an object in an object-based storage system?

- A. Data, metadata, object ID, and attributes
- B. LUN ID, data, metadata, and object ID
- C. Metadata, object ID, attributes, and file path
- D. Object ID, attributes, LUN ID, and file path

Answer: A

NEW QUESTION 6

Which component of a software-defined storage (SDS) environment manages and provisions storage?

- A. SDS controller
- B. REST API
- C. SDS web service
- D. Storage agent

Answer: A

NEW QUESTION 7

What is a benefit of a storage area network (SAN)?

- A. Enables compute systems across locations to access shared storage
- B. Ensures secure data transmission using only channel technologies
- C. Ensures high response times without the protocol overhead
- D. Enables consolidation of control and data planes in a single system

Answer: A

NEW QUESTION 8

What is a function of a virtual machine manager?

- A. Abstracts physical hardware and presents it to a virtual machine
- B. Sends resource requests from multiple virtual machines to the hypervisor kernel
- C. Maps the virtual machine hardware to the hypervisor kernel
- D. Presents resource requests from a virtual machine directly to physical hardware

Answer: A

NEW QUESTION 9

What is a benefit of application virtualization?

- A. Avoids conflicts between different versions of the same application
- B. Enables an application to directly access a LUN on a storage system
- C. Runs applications without requiring the use of cache memory
- D. Presents more memory to an application than is physically available

Answer: A

NEW QUESTION 10

A start-up company with a limited budget is planning to adopt a hybrid cloud solution for their operations. The company has business-critical applications that serve customers and have strict service levels. In addition, the company has less critical applications such as backup and archive.

Which hybrid cloud strategy should be recommended to the company?

- A. Deploy the business-critical applications on an externally-hosted private cloud
- B. Deploy the less critical applications on a public cloud.
- C. Deploy the business-critical applications on an on-premise private cloud
- D. Deploy the less critical applications on an externally-hosted private cloud.
- E. Deploy the business-critical applications on an on-premise private cloud
- F. Deploy the less critical applications on a public cloud.
- G. Deploy the business-critical applications on an externally-hosted private cloud
- H. Deploy the less critical applications on an on-premise private cloud.

Answer: A

NEW QUESTION 10

Which type of digital data consists of textual data with inconsistent formats but can be formatted with the use of software tools?

- A. Quasi-structured data
- B. Semi-structured data
- C. Metadata
- D. Unstructured data

Answer: A

NEW QUESTION 14

An organization plans to deploy a new application in their environment. The new application requires 4 TB of storage space. During peak workloads, the application is expected to generate 4900 IOPS with a typical I/O size of 8 KB. The capacity of each available disk drive is 500 GB. The maximum number of IOPS a drive can perform at with a 70 percent utilization is 110 IOPS.

What is the minimum number of disk drives needed to meet the application's capacity and performance requirements given a RAID 0 configuration?

- A. 8
- B. 20
- C. 30
- D. 45

Answer: D

NEW QUESTION 18

Which EMC product is a hyper-scale storage infrastructure that provides universal accessibility with support for object and HDFS?

- A. ECS Appliance
- B. XtremIO
- C. Data Domain
- D. Centera

Answer: A

NEW QUESTION 20

Which capability is provided by a software-defined storage controller?

- A. Ability to pool and abstract physical storage and present it as an open storage platform
- B. Ability for multiple operating systems to run concurrently on a single physical compute system
- C. Mechanisms to automatically create application programming interfaces for centralized management
- D. Single self-contained package with integrated hardware and software components

Answer: A

NEW QUESTION 22

What is a function of the orchestration layer in a data center infrastructure?

- A. Provides workflows for automated execution of management tasks
- B. Aggregates physical infrastructure components into resource pools
- C. Measures the consumption of IT resources by various services
- D. Decouples an operating environment from the underlying hardware

Answer: A

NEW QUESTION 25

Which data center characteristic ensures that adequate resources are provided to efficiently store and process data?

- A. Capacity
- B. Availability
- C. Scalability
- D. Performance

Answer: A

NEW QUESTION 26

In which data access method does the file system access an iSCSI storage system over a network?

- A. Block-based
- B. File-based
- C. Object-based
- D. Sector-based

Answer: A

NEW QUESTION 27

Which feature of an object-based storage system abstracts and provides a common view of storage independent of location to applications?

- A. Global namespace
- B. Flexible data access
- C. Multi-tenancy
- D. Scale-out architecture

Answer: A

NEW QUESTION 29

Which LUN expansion technique provides both capacity expansion and performance improvement?

- A. Striped metaLUN
- B. Partitioned metaLUN
- C. Virtual metaLUN
- D. Concatenated metaLUN

Answer: A

NEW QUESTION 33

What is an accurate statement about a virtual desktop infrastructure?

- A. Each user is provided a dedicated desktop VM with its own operating system and applications
- B. Operating system and applications hosted on a client system are shared by multiple users
- C. Each user has an individual desktop session on the remote compute system in which applications execute
- D. Operating system and applications on the remote desktop are downloaded on the client for local execution

Answer: A

NEW QUESTION 37

What is enabled by the N_Port ID virtualization (NPIV)?

- A. A single physical N_Port to obtain multiple FC addresses
- B. A single virtual N_Port to act as a physical Ethernet port
- C. A virtualization layer to map virtual volumes to LUN IDs
- D. A single physical N_Port to act as a virtual HBA port

Answer: A

NEW QUESTION 40

What is an accurate statement about remote desktop services?

- A. Operating system and applications hosted on a remote compute system are shared by multiple users
- B. Users are provided dedicated virtual machines running operating system and applications, and hosted on a client system

- C. Users have the flexibility to install applications and modify operating system settings on the remote compute system
- D. Users' interface of the remote desktop is transmitted to the client without the use of a remote display protocol

Answer: A

NEW QUESTION 43

An application generates 4200 small random I/Os at peak workloads with a read/write ratio of 2:1. What is the disk load at peak activity for a RAID 6 configuration?

- A. 2800
- B. 5600
- C. 8400
- D. 11200

Answer: D

NEW QUESTION 46

What improves the performance of multi-threaded large block I/O workloads on a solid state drive?

- A. Parallel I/O channels
- B. I/O coalescing
- C. Native command queuing
- D. High capacity RAM cache

Answer: A

NEW QUESTION 51

To improve performance, which EMC product allows a PCIe flash card to be deployed in a compute system?

- A. XtremSF
- B. XtremCache
- C. ScaleIO
- D. XtremIO

Answer: A

NEW QUESTION 53

What keeps the name server up-to-date on all switches in a fabric?

- A. SW-RSCN
- B. Management server
- C. Zoning
- D. FLOGI

Answer: A

NEW QUESTION 56

Which fabric login type occurs between two N_Ports to exchange FC-4 upper layer protocol-related parameters?

- A. PRLI
- B. FLOGI
- C. PLOGI
- D. WWNN

Answer: A

NEW QUESTION 60

What is an accurate statement about a fabric-provided MAC address (FPMA) used in an FCoE SAN?

- A. FCoE switches provide MAC addresses to VN_Ports during node login
- B. FC switches provide MAC addresses to VE_Ports dynamically during discovery
- C. Compute systems provide MAC addresses to the VF_Ports on FCoE switches
- D. Both VF_Ports and VE_Ports obtain MAC addresses from FC switches

Answer: A

NEW QUESTION 63

Which type of digital data has no defined format but has a self-describing structure that enables its analysis?

- A. Semi-structured data
- B. Structured data
- C. Metadata
- D. Quasi-structured data

Answer: A

NEW QUESTION 67

What maps the logical path of a file system to its physical path in a file-level virtualization implementation?

- A. Global namespace
- B. Remote procedure call
- C. Distributed file system
- D. Cache coherency

Answer: A

NEW QUESTION 69

Which benefit does the measured service characteristic provide to a cloud service provider?

- A. Enables control and optimization of resource use
- B. Enables cloud services to communicate with each other
- C. Enables availability of specific resources depending on policy
- D. Enables the reduction and/or elimination of upfront IT expenditure

Answer: A

NEW QUESTION 72

What is a benefit of using converged infrastructure for building a data center?

- A. Reduces the time to acquire and deploy the infrastructure
- B. Provides the flexibility to purchase individual IT components
- C. Integrates existing IT components into the infrastructure
- D. Offers the flexibility to change vendors and prevent vendor lock-in

Answer: A

NEW QUESTION 75

What is determined by the recovery point objective in a business continuity solution?

- A. Frequency of the backup
- B. Type of backup devices
- C. Type of disaster recovery site
- D. Distance between the primary and disaster recovery sites

Answer: A

NEW QUESTION 80

What is an accurate statement about the Network File System (NFS) protocol?

- A. Provides a set of remote procedure calls to access a remote file system
- B. Uses the server message block protocol to provide file locking capability
- C. Translates block I/O requests from a file system into object-level requests
- D. Automatically scales the file systems on clients as the workload increases

Answer: A

NEW QUESTION 84

Which fabric service distributes SW-RSCNs to the other switches in a Fibre Channel SAN?

- A. Fabric controller
- B. Fabric login server
- C. Name server
- D. Fabric management server

Answer: A

NEW QUESTION 88

Which NAS implementation requires separate management of the NAS head and the storage?

- A. Gateway
- B. Scale-out
- C. Unified
- D. Integrated

Answer: A

NEW QUESTION 92

What is a function of the metadata manager in a compute-based storage area network (SAN)?

- A. Controls load balancing and data migration in a compute-based SAN
- B. Provides an interface to the software-defined storage controller

- C. Controls all data read and write operations in a compute-based SAN
- D. Performs the I/O operations on the local storage of a compute system as requested by a client

Answer: A

NEW QUESTION 95

Which cloud computing characteristic enables multi-tenancy and abstracts the location of provided resources?

- A. Resource pooling
- B. Measured service
- C. Rapid elasticity
- D. Broad network access

Answer: A

NEW QUESTION 96

In an object-based storage system, data is divided into 9 data segments and 3 coding segments using the erasure coding technique. What is the maximum number of disk drive failures against which data is protected by this configuration?

- A. 3
- B. 6
- C. 9
- D. 12

Answer: A

NEW QUESTION 98

What is a component of an FCoE switch?

- A. Ethernet Bridge
- B. Virtual N_Port
- C. Converged Network Adapter
- D. FCIP Forwarder

Answer: A

NEW QUESTION 99

Which data access method enables a compute system to access a file system that resides on a storage system?

- A. File-based
- B. Block-based
- C. Object-based
- D. Sector-based

Answer: A

NEW QUESTION 103

In an FCoE environment, which functionality provides a framework for the allocation of bandwidth to different network traffic classes?

- A. Enhanced transmission selection
- B. Priority-based flow control
- C. Congestion notification
- D. Data center bridging exchange protocol

Answer: A

NEW QUESTION 105

What is an accurate statement about a hybrid cloud?

- A. Supports data and application portability for load balancing between clouds
- B. Allows organizations with common concerns to share the cost of deploying the cloud
- C. Enables the entire cloud infrastructure to be controlled by the consumer's IT staff
- D. Allows an organization to outsource the implementation of a private cloud to a cloud provider

Answer: A

NEW QUESTION 108

How does an iSCSI initiator discover its targets?

- A. Initiator sends a query to an iSNS server for a list of available targets
- B. Initiator receives the iSCSI names of its targets from the primary DNS server
- C. Initiator uses the data center bridging exchange protocol for the discovery
- D. Initiator sends SCSI commands and the target responds by sending its name

Answer: A

NEW QUESTION 113

Which VMware product provides a network virtualization platform for a software-defined data center?

- A. NSX
- B. ESXi
- C. Horizon
- D. AirWatch

Answer: A

NEW QUESTION 117

What is a benefit of block-level storage virtualization?

- A. Enables the online expansion of virtual volumes
- B. Enhances performance by limiting the RSCN traffic
- C. Improves security through logical segmentation of block storage devices
- D. Increases scalability through separation of FC addresses across VSANs

Answer: A

NEW QUESTION 121

An application uses ten, 15 GB devices.

A pointer-based full volume replica of the application is required.

The replica will be kept for 24 hours and the data changes by 10% every 24 hours. How much storage should be allocated for the replication?

- A. 15 GB
- B. 30 GB
- C. 150 GB
- D. 300 GB

Answer: C

NEW QUESTION 125

Why should a replica be consistent with its source?

- A. Ensure the usability of the replica
- B. Reduce the need to create multiple replicas
- C. Ensure the security of the replica
- D. Reduce the size of the replica

Answer: D

NEW QUESTION 130

In a virtualized environment, which method enables a virtual machine to be rolled back in case of a logical corruption to the virtual machine?

- A. Virtual volume replication
- B. VM snapshot
- C. Storage array volume replication
- D. VM clone

Answer: B

NEW QUESTION 134

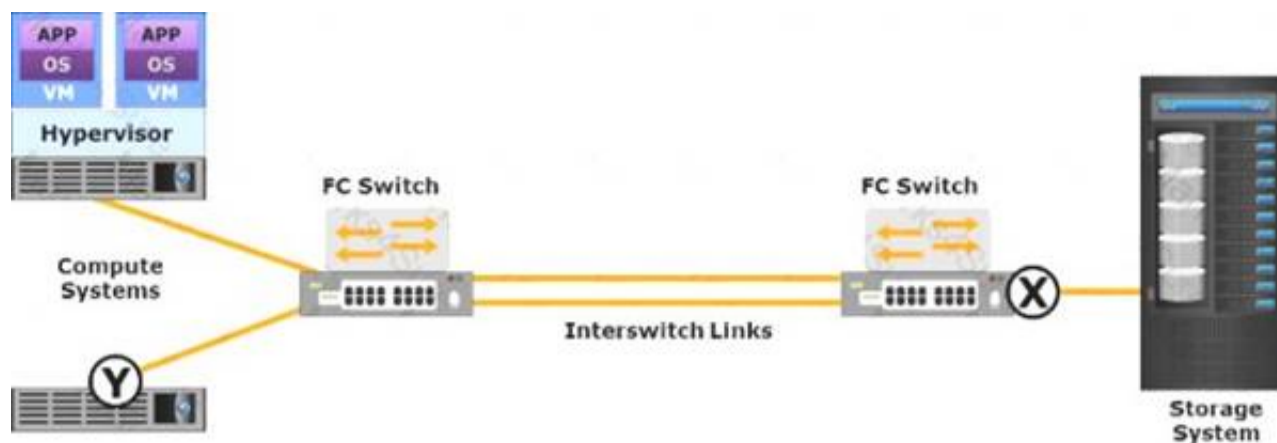
What contains the information about backup configuration and backup metadata?

- A. Backup catalog
- B. Proxy server
- C. Tracking database
- D. Backup image

Answer: A

NEW QUESTION 137

Which type of Fibre Channel (FC) ports do the labels "X" and "Y" represent in the exhibit?



- A. X is an E_Port and Y is an F_Port
- B. X is an F_Port and Y is an N_Port
- C. X is an N_Port and Y is an E_Port
- D. X is an N_Port and Y is an F_Port

Answer: B

NEW QUESTION 139

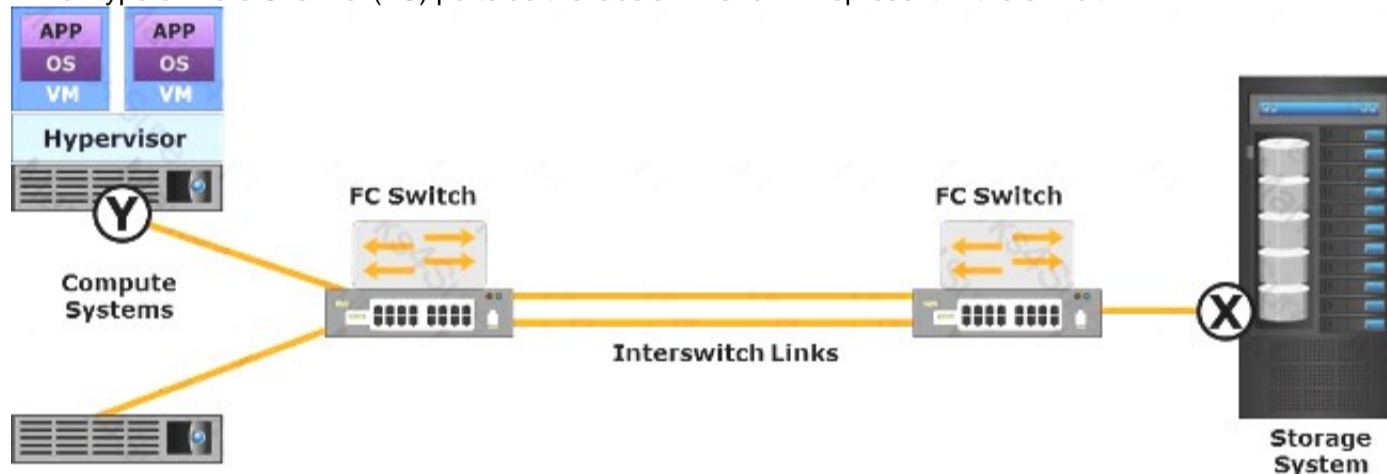
Why is it important for organizations to maintain a copy of data at a remote site?

- A. Ensure disaster recovery
- B. Provide operational recovery
- C. Ensure data archiving to meet regulatory requirements
- D. Provide flexibility to use stub files for production operations

Answer: A

NEW QUESTION 144

Which type of Fibre Channel (FC) ports do the labels "X" and "Y" represent in the exhibit?



- A. X is an E_Port and Y is an N_Port
- B. X is an F_Port and Y is an E_Port
- C. X is an F_Port and Y is an F_Port
- D. X is an N_Port and Y is an N_Port

Answer: D

NEW QUESTION 147

A customer wants 24x7 availability for a business application that uses a file system. Which operation ensures a consistent replica of the file system?

- A. Unmount the file system prior to the creation of the replica
- B. Stop the application prior to the creation of the replica
- C. Flush the file system buffers after creation of the replica
- D. Flush the file system buffers before creation of the replica

Answer: D

NEW QUESTION 152

What is the purpose of monitoring capacity in a storage infrastructure?

- A. Tracking the amount of storage infrastructure resources used and available
- B. Evaluating utilization of components and identifying bottlenecks
- C. Tracking configuration changes to the storage infrastructure elements
- D. Identifying component failures that may lead to service unavailability

Answer: A

NEW QUESTION 153

How do VSANs ensure security in an IT infrastructure?

- A. By providing isolation over a shared infrastructure
- B. By authenticating a new switch that joins a fabric
- C. By limiting the number of switches in a fabric
- D. By prohibiting an unused switch port from being used

Answer: A

NEW QUESTION 155

What accurately describes an attack vector in an IT infrastructure?

- A. Series of steps that must be followed in order to complete an attack
- B. Various entry points that can be used to launch an attack
- C. Amount of effort required to exploit vulnerabilities in the infrastructure
- D. Process of identifying the system components under attack

Answer: A

NEW QUESTION 157

Which EMC product provides a remote replication solution for EMC VMAX3 storage systems?

- A. SRDF
- B. SnapSure
- C. MirrorView
- D. ProtectPoint

Answer: A

NEW QUESTION 161

Which type of storage system is built specifically for storing fixed content?

- A. Content addressed storage
- B. Block-based storage
- C. File-based storage
- D. Unified storage

Answer: A

NEW QUESTION 166

A customer has a requirement to perform a backup each night. However, the customer has a limited amount of time for backups to run on week nights, Monday through Friday evenings.

Which backup granularity type is recommended to meet the backup window for those nights?

- A. Incremental
- B. Cumulative
- C. Full
- D. Differential

Answer: C

NEW QUESTION 168

In continuous data protection (CDP) remote replication, where are the two split write I/Os of an incoming write I/O directed?

- A. One I/O goes to the local CDP appliance and the other I/O goes to the production volume
- B. One I/O goes to the compute system and the other I/O goes to the production volume
- C. One I/O goes to the remote CDP appliance and the other I/O goes to the replica
- D. One I/O goes to the journal volume and the other I/O goes to the replica

Answer: A

NEW QUESTION 169

A company has an FC SAN environment. The company's network administrator wants to ensure that a particular switch port cannot function as an EPort and cannot be used to create an interswitch link. Which security mechanism should be used?

- A. Persistent port disable
- B. Virtual SAN
- C. Port type locking
- D. Port binding

Answer: A

NEW QUESTION 170

Which technique is used in Kerberos to authenticate a client-server application across an insecure network?

- A. Secret-key cryptography
- B. One-way hash function

- C. Shared secret
- D. Open ID control

Answer: A

NEW QUESTION 172

What is a benefit of backing up data to a disk library?

- A. Provides improved backup and recovery performance
- B. Provides built-in portability to meet offsite requirements
- C. Supports the shoe shining effect for improved backup performance
- D. Pre-configured and dedicated appliance is only used for backups

Answer: A

NEW QUESTION 176

In an FCoE SAN, what describes a Fibre Channel Forwarder function?

- A. Transfer FCoe traffic over an FC SAN
- B. Encapsulate IP packets into FC frames
- C. Apply zoning configurations and provide fabric services
- D. Provide both FC HBA and Nic functionality

Answer: A

NEW QUESTION 180

What is an accurate statement about Challenge Handshake Authentication Protocol (CHAP) control?

- A. Enables initiators and targets to authenticate each other by using a shared secret code
- B. Provides strong authentication for client-server applications by using secret-key cryptography
- C. Allows a client to access protected resources from a resource server on behalf of a resource owner
- D. Enables an organization to use authentication services from an identity provider

Answer: A

NEW QUESTION 183

What is an accurate statement about hypervisor-based continuous data protection (CDP)?

- A. Write splitter is embedded in the hypervisor
- B. Journal is stored in a virtual machine
- C. Journal and replica use the same storage volume
- D. Virtual appliance runs on a storage system

Answer: A

NEW QUESTION 187

What is a benefit of using content addressed storage (CAS) as an archival solution?

- A. Ensures content authenticity and integrity
- B. Supports location independence using different content IDs for an object
- C. Provides the ability to perform production operations on the CAS
- D. Enables modification of archived data

Answer: A

NEW QUESTION 191

What is an example of a security management task in a storage infrastructure?

- A. Configuring LUN masking to restrict hosts from accessing a specific LUN
- B. Enforcing storage space quotas to restrict users from overprovisioning resources
- C. Restricting the number of simultaneous client access to application servers
- D. Enabling sending messages to a support center in the event of resource failure

Answer: D

NEW QUESTION 192

What is a characteristic of an FC-AL implementation?

- A. Reserves one address for connecting an FC-SW port
- B. Supports connectivity up to 15 million nodes
- C. Devices can be added and removed dynamically without any impact
- D. Requires at least one connectivity device

Answer: A

NEW QUESTION 194

What is an advantage of performing cumulative backups compared to incremental backups for the same data?

- A. Facilitates faster restores
- B. Facilitates faster backups
- C. Reduces the storage space required for backups
- D. Eliminates the need for full backups

Answer: A

NEW QUESTION 195

What is a benefit of a "recovery-in-place" backup approach in a virtualized data center?

- A. Provides instant recovery of a failed virtual machine
- B. Reduces the recovery point objective
- C. Eliminates redundant data during virtual machine backups
- D. Eliminates the backup window

Answer: A

NEW QUESTION 200

What is an accurate statement about the function of an archiving server?

- A. Enables the ability to configure policies for archiving data
- B. Installs agents on the archiving storage device
- C. Scans the data that can be archived on application servers
- D. Creates stub files on an archiving storage device

Answer: A

NEW QUESTION 203

What is an accurate statement about a virtual tape library?

- A. Legacy backup software can be used without additional modules or changes
- B. Portability of physical tapes to offsite locations is supported
- C. Only sequential data access for both backup and recovery is supported
- D. Regular maintenance tasks associated with a physical tape drive are required

Answer: A

NEW QUESTION 204

What refers to an IT infrastructure's ability to function based on business expectations during its specified time of operations?

- A. Information availability
- B. Disaster recovery
- C. Compliance adherence
- D. Business agility

Answer: A

NEW QUESTION 208

What is an accurate statement about a denial-of-service attack?

- A. Prevents legitimate users from accessing resources or services
- B. Intentional misuse of privileges to compromise data security
- C. Gaining unauthorized access to a user's accounts and data
- D. Captures a user's credentials and then sends to the attacker

Answer: A

NEW QUESTION 213

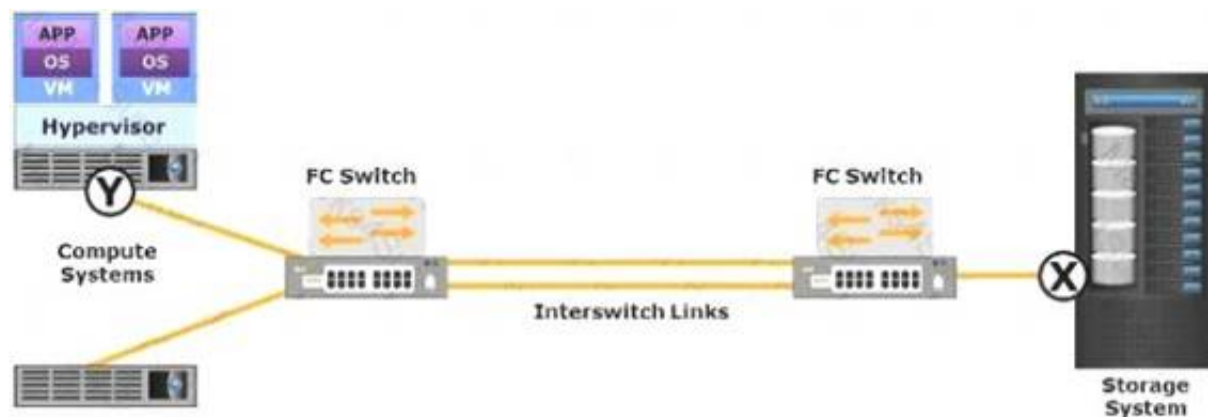
What is an example of an active attack on an IT infrastructure?

- A. Attempt to modify information for malicious purposes
- B. Attempt to copy the data from the storage system
- C. Attempt to gain unauthorized access into the system
- D. Attempt to gain access to the data in transit

Answer: A

NEW QUESTION 215

Based on the exhibit, which type of Fibre Channel ports do the labels "X" and "Y" represent?



- A. X is an F_Port and Y is an F_Port
- B. X is an N_Port and Y is an N_Port
- C. X is an E_Port and Y is an N
- D. X is an F Port and Y is an E Port

Answer: B

NEW QUESTION 216

What is an accurate statement about OpenID control?

- A. Enables an organization to use authentication services from an identity provider
- B. Enables initiators and targets to authenticate each other by using a shared secret code
- C. Provides strong authentication for client-server applications by using secret-key cryptography
- D. Allows a client to access protected resources from a resource server on behalf of a resource owner

Answer: A

NEW QUESTION 220

An organization has several virtual machines (VMs) deployed in their data center. The VM files are stored on a block-based storage system. The applications on the VMs are impacted during VM backup because the backup agents on the VMs are consuming a large amount of resources. Which alternate backup solution is recommended to address this issue?

- A. Image-based backup
- B. Three-way NDMP backup
- C. Two-way NDMP backup
- D. Target-based deduplication backup

Answer: A

NEW QUESTION 221

Which component is required for a “recovery-in-place” backup approach?

- A. Disk-based backup target
- B. Agent-based backup client
- C. NDMP server
- D. Data deduplication server

Answer: A

NEW QUESTION 226

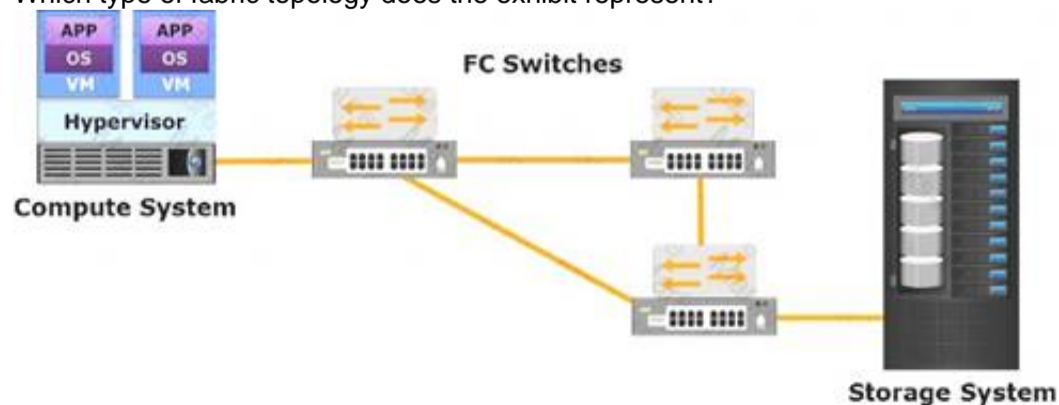
What is an accurate statement about OAuth security control?

- A. Allows a client to access protected resources from a resource server on behalf of a resource owner
- B. Provides strong authentication for client-server applications by using secret-key cryptography
- C. Enables initiators and targets to authenticate each other by using a shared secret code
- D. Enables an organization to use authentication services from an identity provider

Answer: A

NEW QUESTION 231

Which type of fabric topology does the exhibit represent?



- A. Full mesh
- B. Partial mesh
- C. Single core-edge
- D. Dual core-edge

Answer: A

NEW QUESTION 235

What is a benefit of implementing a virtual machine (VM) storage migration?

- A. Balances storage utilization by redistributing VMs across different storage systems
- B. Enables VMs to keep functioning even if the source data is lost due to a failure
- C. Improves the security of applications running inside VMs on the migrated storage system
- D. Reduces the overall storage system capacity requirements for organizations

Answer: A

NEW QUESTION 240

.....

Thank You for Trying Our Product

* 100% Pass or Money Back

All our products come with a 90-day Money Back Guarantee.

* One year free update

You can enjoy free update one year. 24x7 online support.

* Trusted by Millions

We currently serve more than 30,000,000 customers.

* Shop Securely

All transactions are protected by VeriSign!

100% Pass Your E05-001 Exam with Our Prep Materials Via below:

<https://www.certleader.com/E05-001-dumps.html>